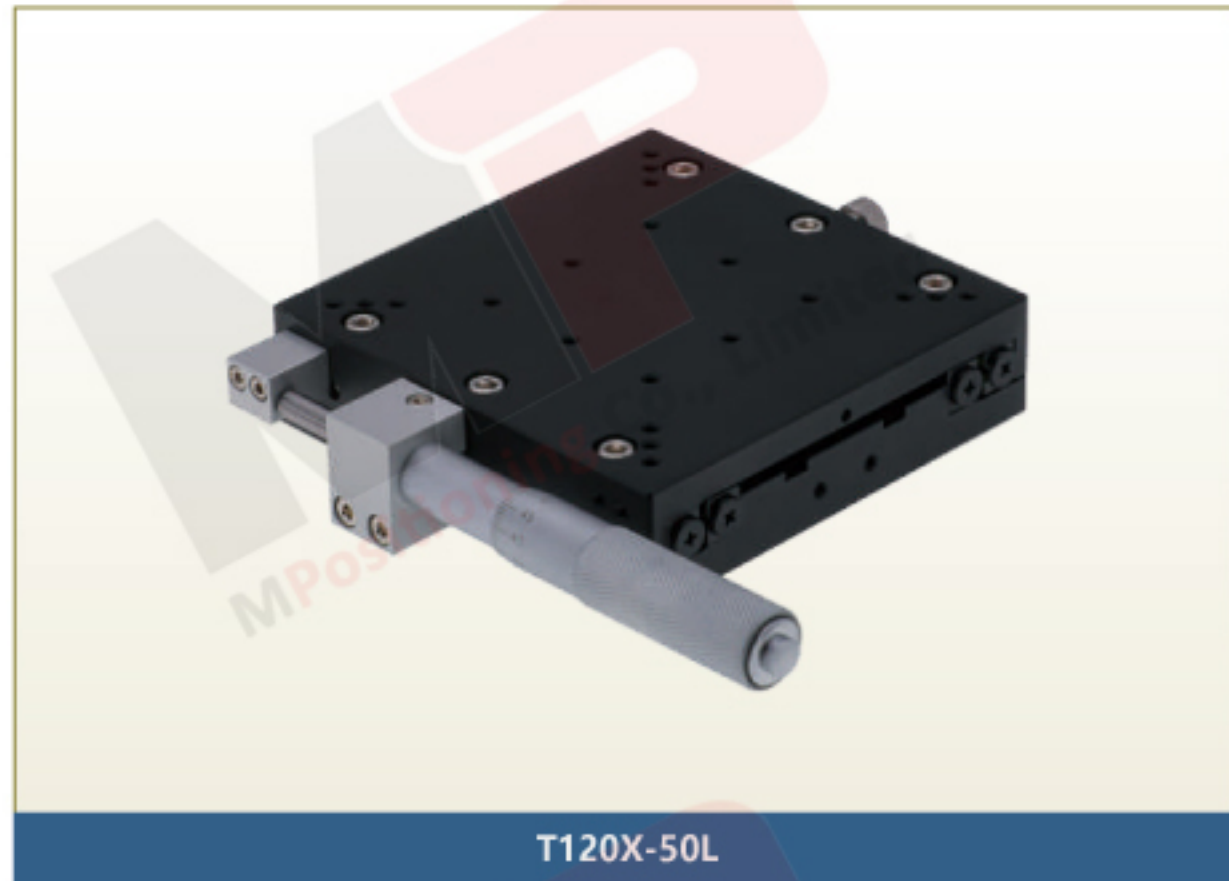
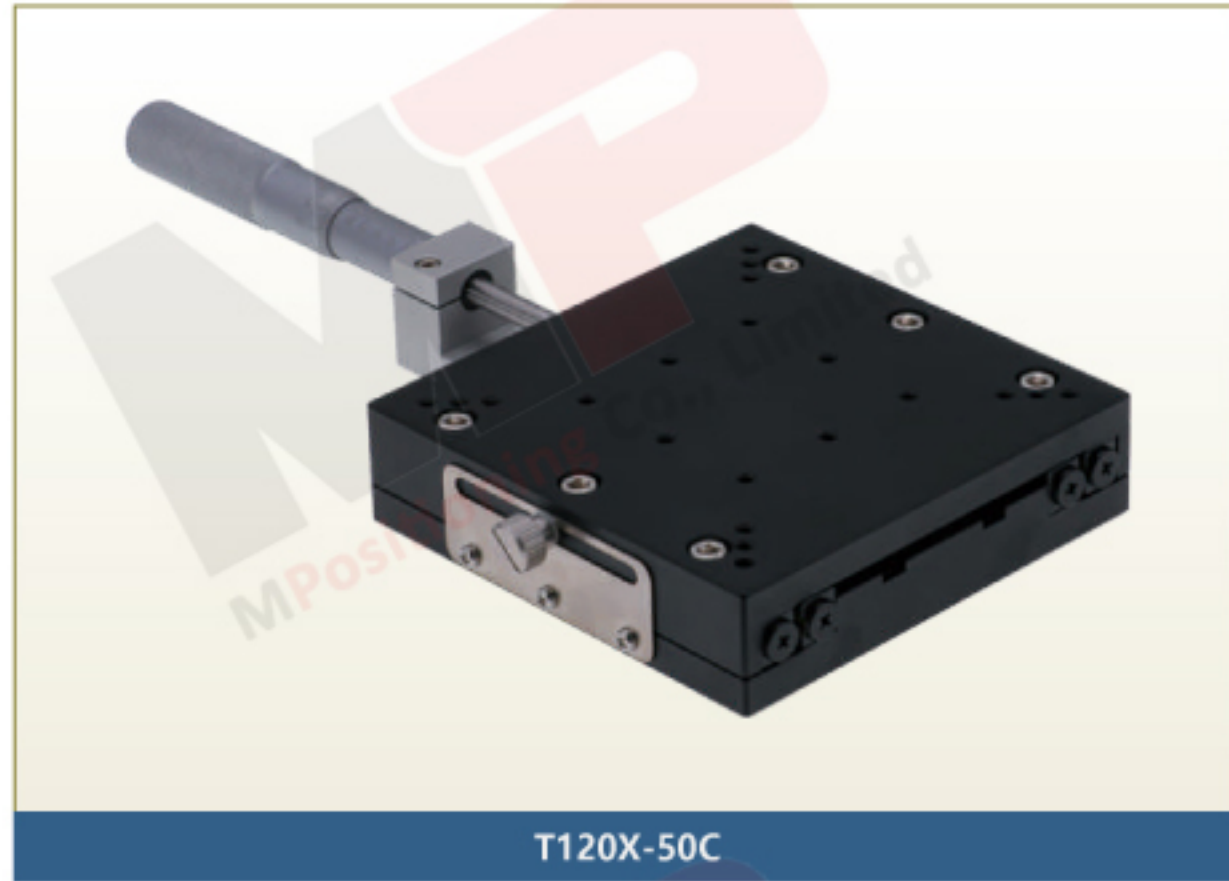


Manual Linear Stages, X axis (Crossed-Roller Bearings)



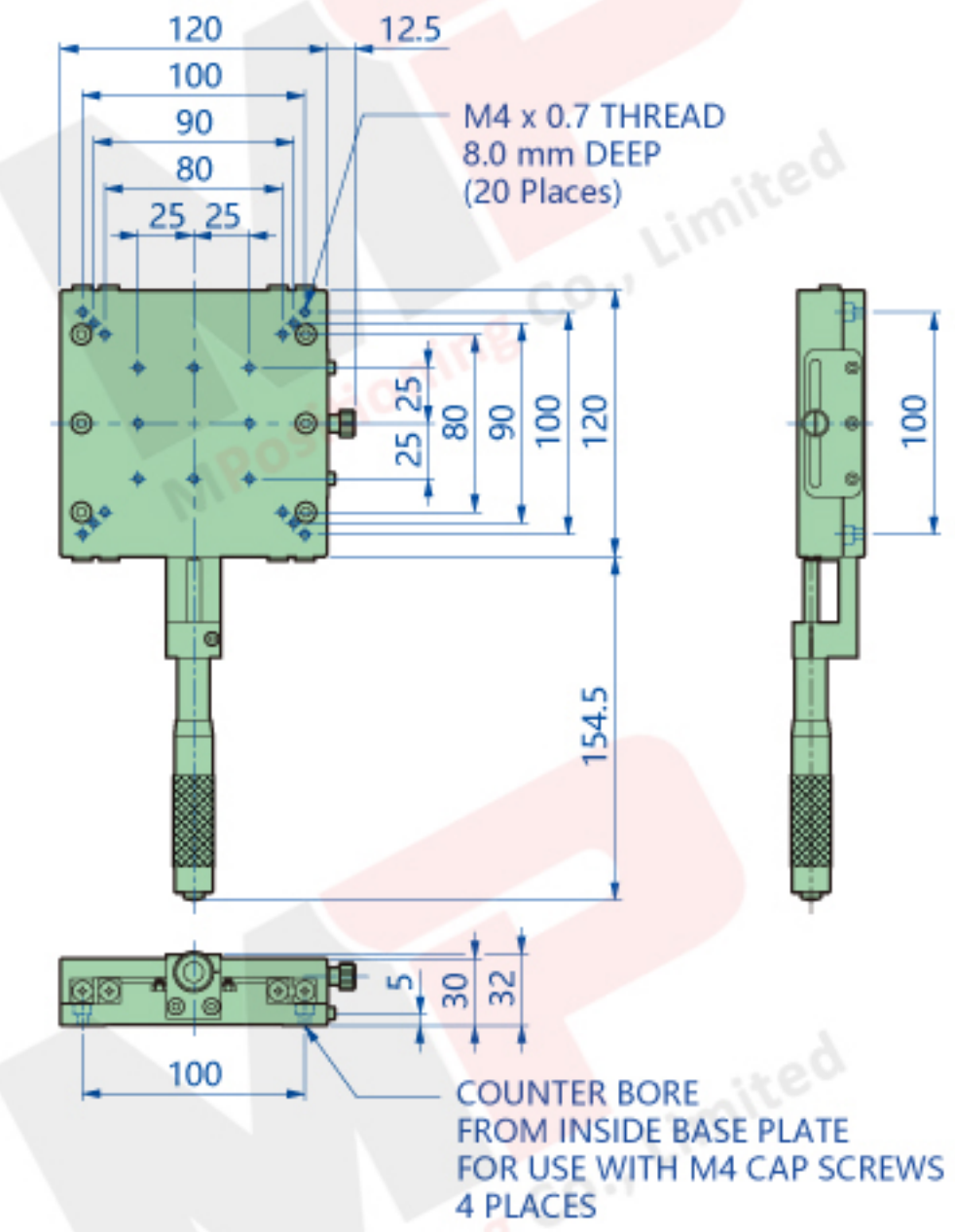
► SPECIFICATIONS

	T120X-50C	T120X-50L	T120X-50R
Moving Direction		X	
Travel Range		±25 mm	
Platform Size		120 mm x 120 mm	
Drive Mechanism		Micrometer Head with 0.50 mm of Pitch	
Bearing Construction		Crossed-Roller Bearings	
Material, Finish		Aluminium Alloy, Black Anodized	
Thickness		30 mm	
Minimum Readout		0.01 mm	
Moving Flatness		≤ 0.04 mm/50 mm	
Flatness		0.05 mm	
Max. Load Capacity		20.0 kgf	
Weight		1.55 kg	

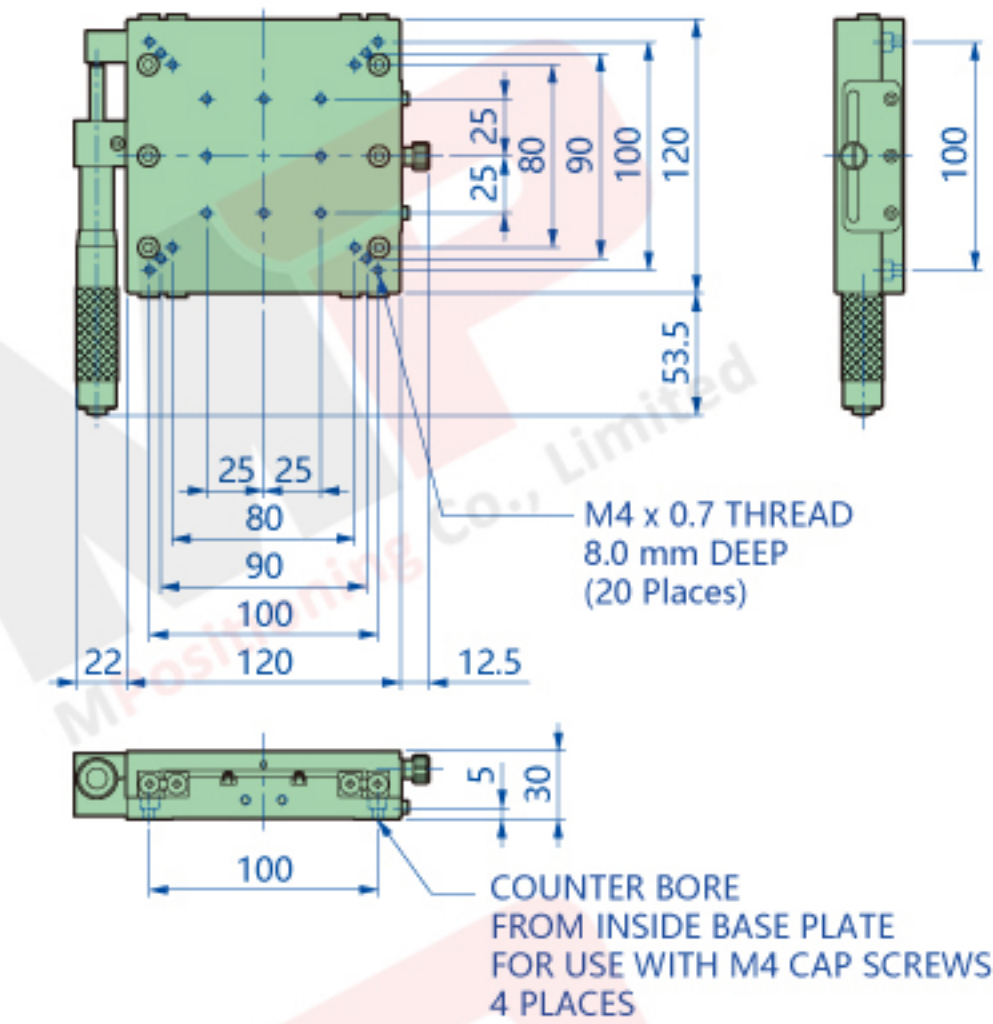
Manual Linear Stages, X axis (Crossed-Roller Bearings)



► T120X-50C



► T120X-50L



► T120X-50R

