

Manual Linear Stages, X axis (Crossed-Roller Bearings)



T80X-25C

T80X-25L

T80X-25R

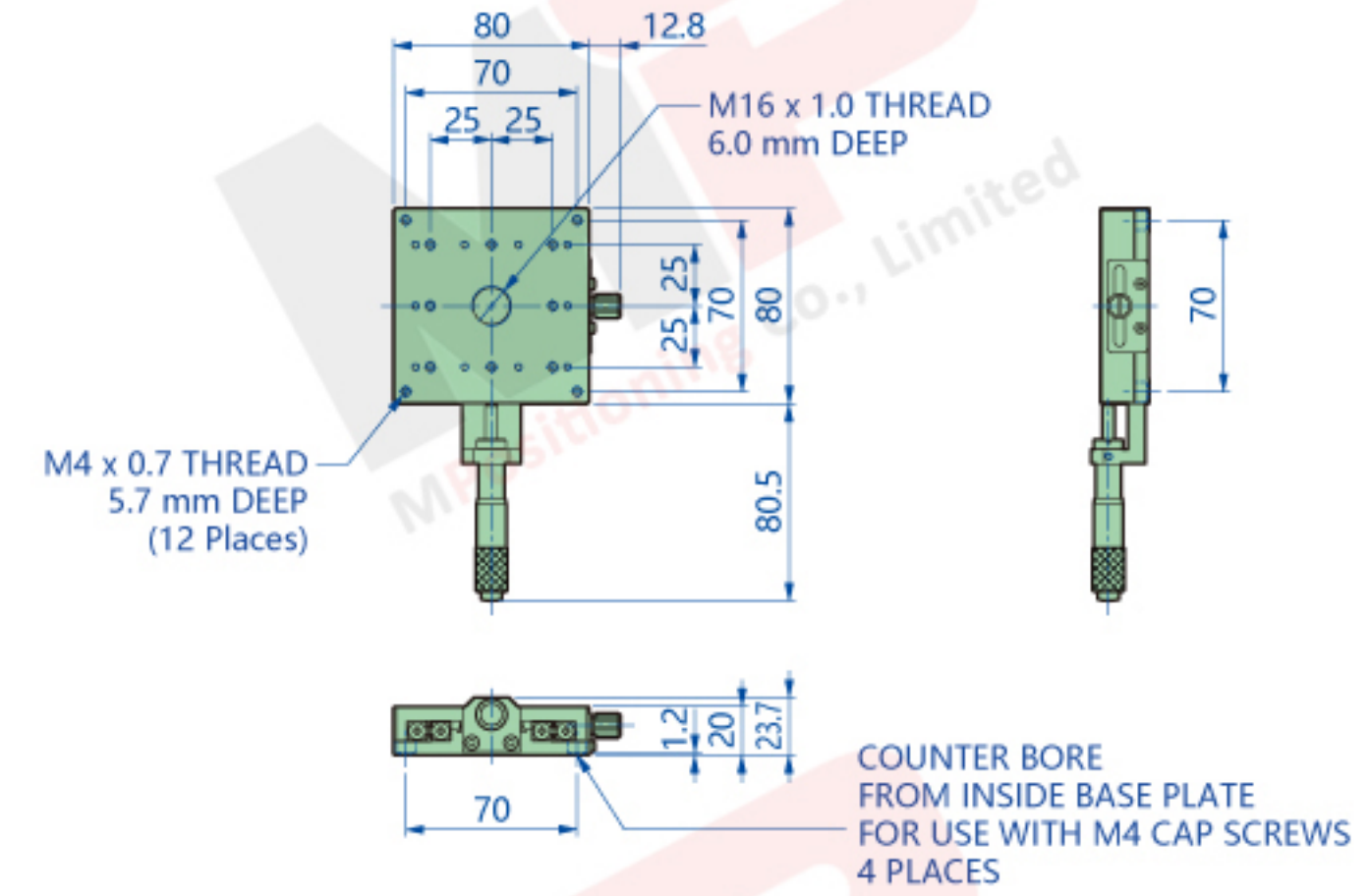
► SPECIFICATIONS

	T80X-25C	T80X-25L	T80X-25R
Moving Direction		X	
Travel Range		±12.50 mm	
Platform Size		80 mm x 80 mm	
Drive Mechanism		Micrometer Head with 0.50 mm of Pitch	
Bearing Construction		Crossed-Roller Bearings	
Material, Finish		Aluminium Alloy, Black Anodized	
Thickness		20 mm	
Minimum Readout		0.01 mm	
Moving Flatness		≤ 0.02 mm/25 mm	
Flatness		0.03 mm	
Max. Load Capacity		10.0 kgf	
Weight		0.50 kg	

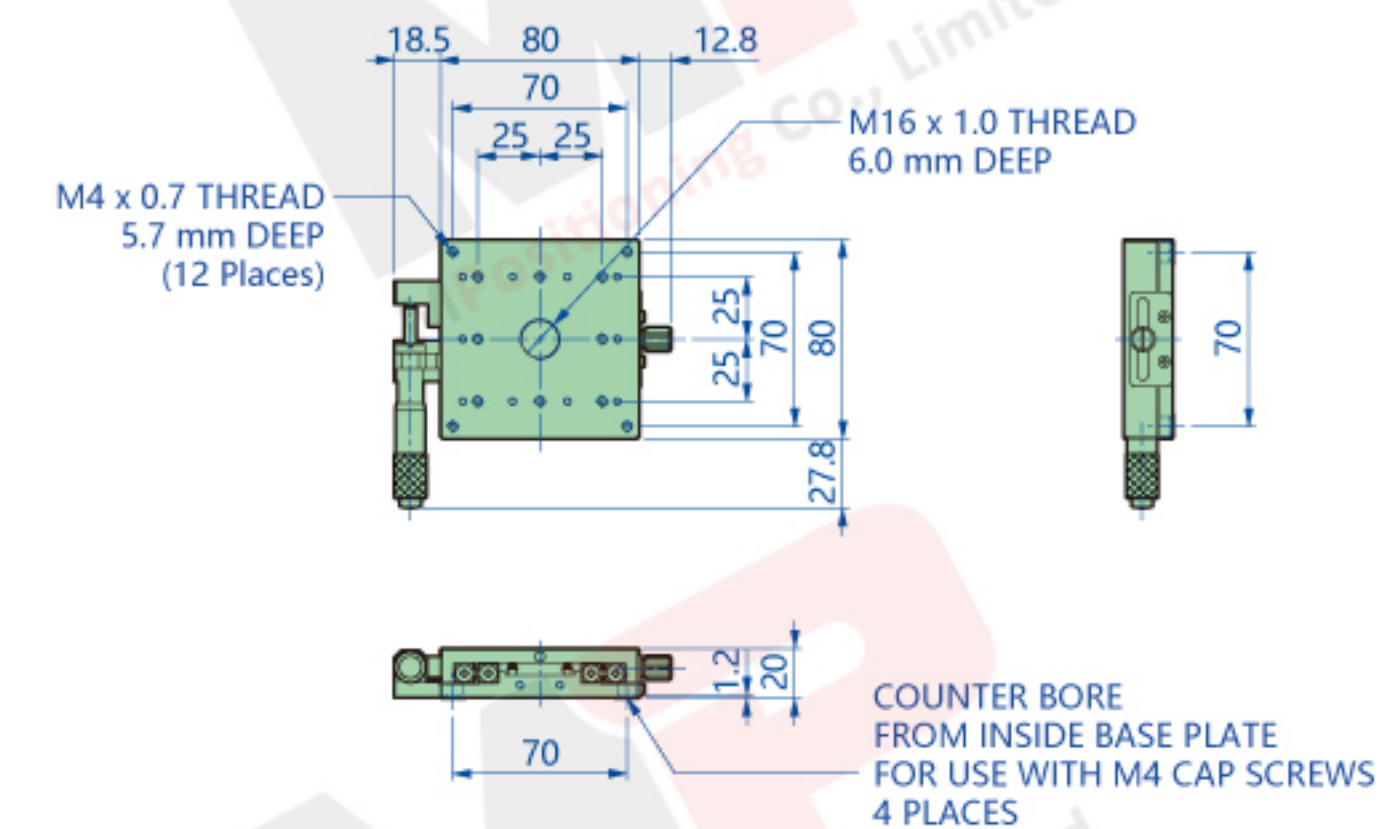
Manual Linear Stages, X axis (Crossed-Roller Bearings)



► T80X-25C



► T80X-25L



► T80X-25R

