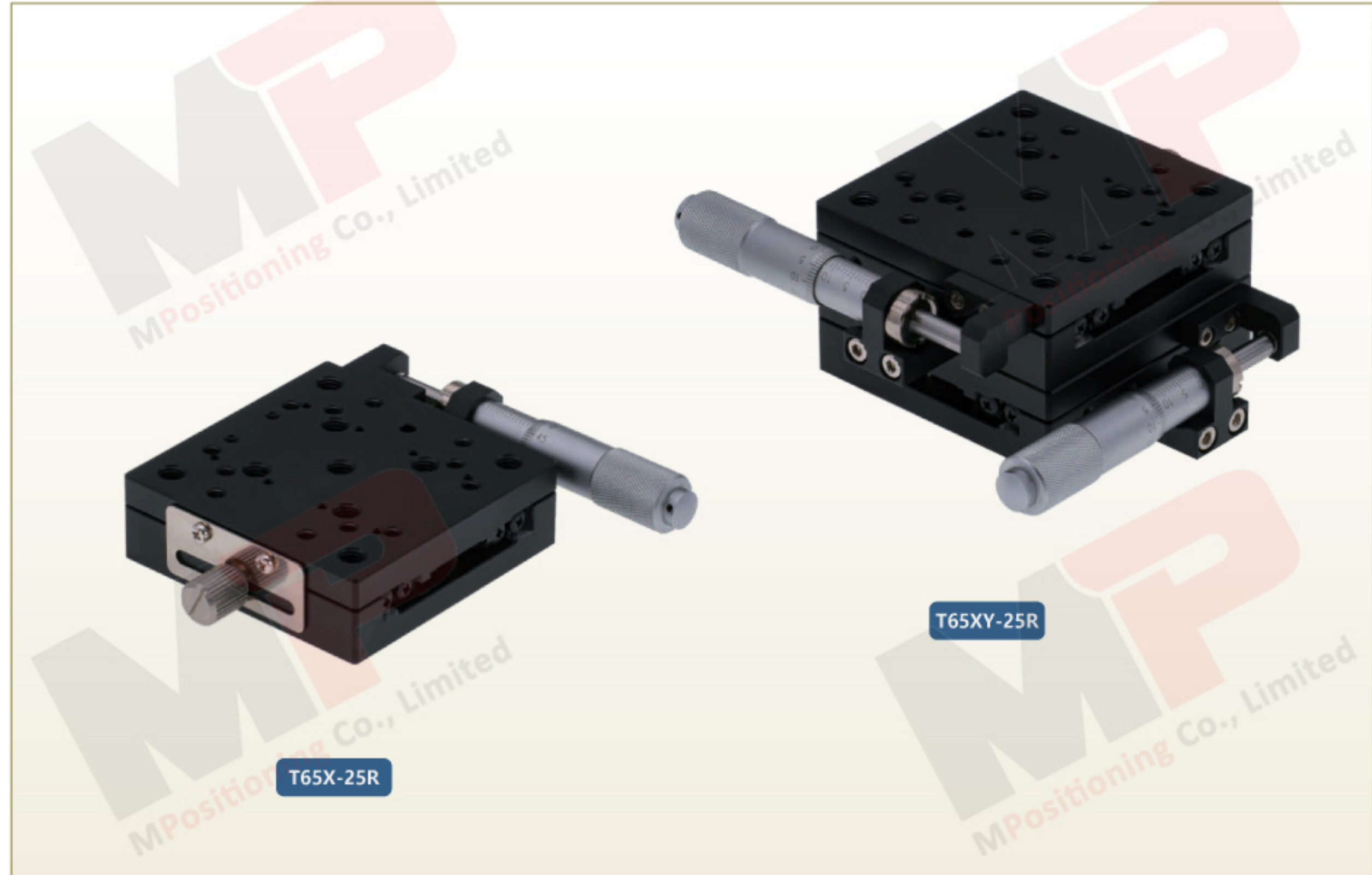


Manual Linear Stages, X & XY axes (Crossed-Roller Bearings)



T65X-25R

T65XY-25R

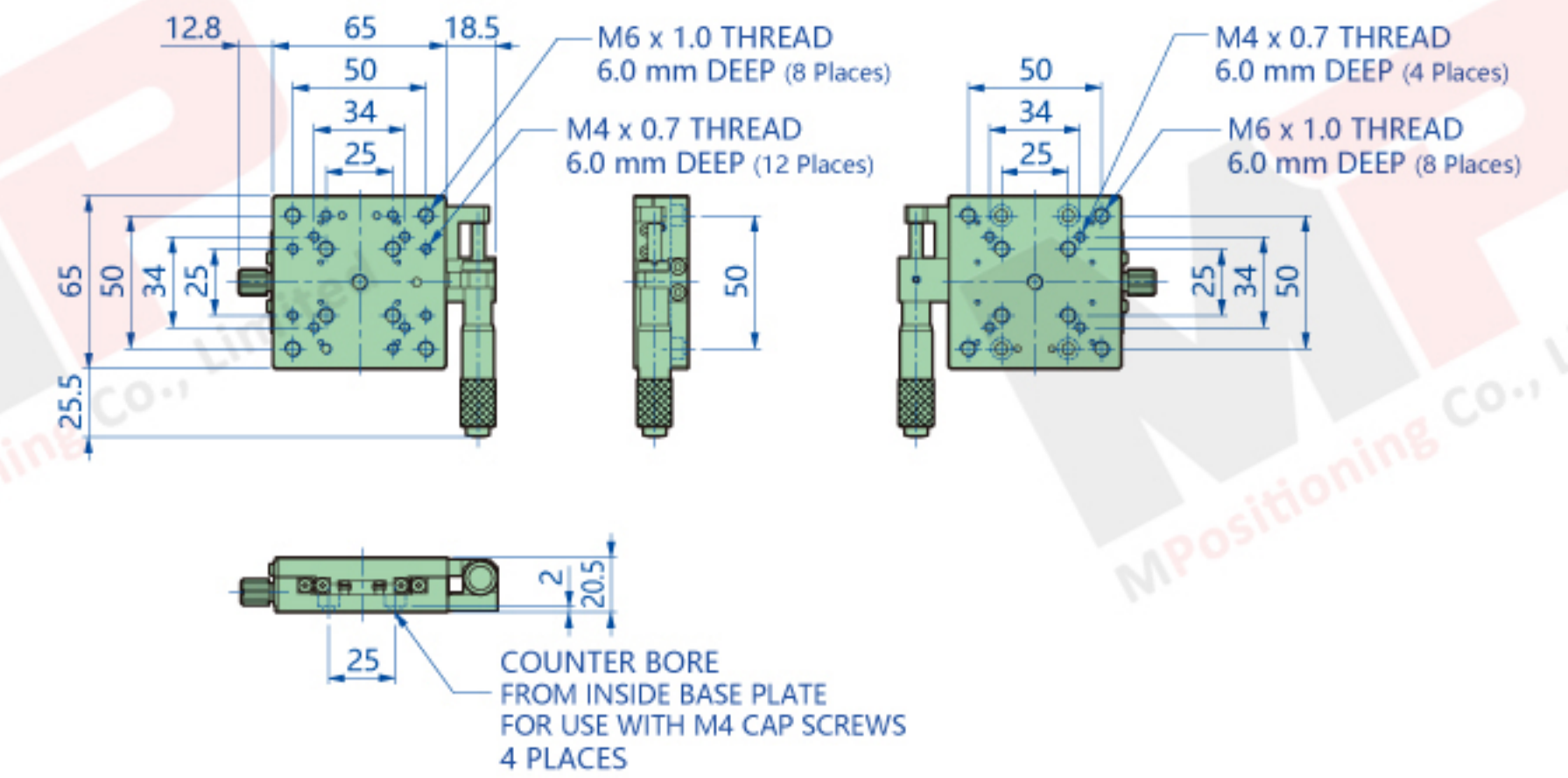
► SPECIFICATIONS

	T65X-25R	T65XY-25R
Moving Direction	X & Y	X & Y
Travel Range	±12.50 mm	
Platform Size	65 mm x 65 mm	
Drive Mechanism	Micrometer Head with 0.50 mm of Pitch	
Bearing Construction	Crossed-Roller Bearings	
Material, Finish	Aluminium Alloy, Black Anodized	
Thickness	20.50 mm	41 mm
Minimum Readout	0.01 mm	
Moving Flatness	≤ 0.02 mm/25 mm	
Flatness	0.03 mm	0.06 mm
Max. Load Capacity	5.0 kgf	
Weight	0.30 kg	0.60 kg

Manual Linear Stages, X & XY axes (Crossed-Roller Bearings)



► T65X-25R



► T65XY-25R

